

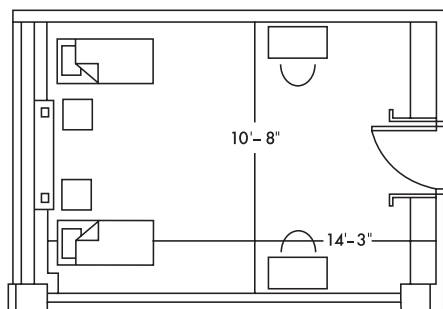


Welcome to IIT Residence Halls

Experience Community

2014-2015

Choose Your Hall... Join the IIT Campus Community



McCORMICK STUDENT VILLAGE

McCormick Student Village (MSV) encompasses the traditional values of a college residence hall. Built as the first residence hall on Main Campus, MSV provides large lounges, multiple study areas, and many opportunities for student interaction. MSV has a comfortable and friendly atmosphere. A central common area and one main entrance/exit connect all residence halls, fostering a safe community.

ROOM OPTIONS

- ▶ 176-square-foot room shared with one other student, with shared bathrooms on each floor. This is the only room option available to first-year students in MSV.
- ▶ Small single rooms and double deluxes (suites with kitchens)
- ▶ Available to IIT, Shimer, and VanderCook College of Music students
- ▶ August to May contract; winter and spring breaks included

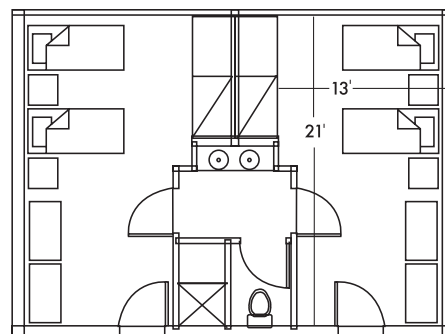
AMENITIES

- ▶ Key card access to building entrance
- ▶ 24-hour security
- ▶ Computer lab
- ▶ Bicycle storage
- ▶ Voice, data, television jacks in each room
- ▶ Furnished for private and common areas
- ▶ Large common-area lounges and study areas on first floor
- ▶ Individual floor lounges with access to cable TV and a microwave
- ▶ Staff on premises 24 hours a day
- ▶ Game room
- ▶ Big screen TVs and DVD players in lounges
- ▶ Multiple laundry facilities onsite

RATES (2014-15)

Double \$5,712
Single \$11,424

Drawings not to scale. Room sizes may vary.



STATE STREET VILLAGE

State Street Village (SSV) offers students one of the finest college residence options in the country. Designed by Helmut Jahn, renowned architect, SSV is a collection of three residence halls. SSV North and Middle contain double suites, which are one of two housing options available to first-year students. SSV South contains apartments available to upperclassmen.

ROOM OPTIONS

- ▶ 460-square-foot "quad suites," which are two separate suites with a shared bathroom, housing four students. This is the only room option available to first-year students in SSV.
- ▶ Studio, two-, three-, and six-bedroom apartments with private kitchens and baths. This option is available to students after their first year.
- ▶ Available to IIT, Shimer, and VanderCook College of Music students
- ▶ August to May contract; winter and spring breaks included

AMENITIES

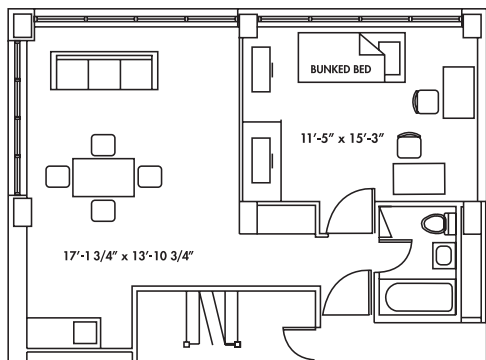
- ▶ Elevators
- ▶ Key card access to entrances and student rooms
- ▶ 24-hour security
- ▶ Voice, data, television jacks in each room
- ▶ Individual temperature controls in each quad suite or apartment
- ▶ Floor-to-ceiling picture windows with thin slat blinds
- ▶ Furnished private and common areas
- ▶ Fifth-floor lounges and rooftop decks in each pavilion, with spectacular city views and audio/visual systems
- ▶ Staff on premises 24 hours a day
- ▶ Access to fully equipped kitchens
- ▶ Bicycle storage
- ▶ Multiple laundry facilities onsite with online monitoring capabilities
- ▶ Fully furnished rooms and apartments

RATES (2014-15)

Suite Double \$8,652
Apartment Studio \$13,648

Drawings not to scale. Room sizes may vary.

With rooms ranging in size from a traditional or semi-suite double occupancy rooms to one-bedroom with den apartments, IIT offers several residence halls options. Find additional information, including more on rates and room types, online at iit.edu/housing.



GUNSAULUS HALL

Gunsaulus Hall, named after Frank W. Gunsaulus—the first president of Armour Institute—was recently renovated. Each studio, one-bedroom, and two-bedroom apartment features new appliances, window treatments, and flooring. Student rooms include a full furniture package, including bedroom and living room furniture.

ROOM OPTIONS

- ▶ Apartments range between 480–920 square feet, each with a private bathroom.
- ▶ Available to IIT, Shimer, and VanderCook College of Music juniors, seniors, transfer students, and graduate students
- ▶ August to May contract; winter break included

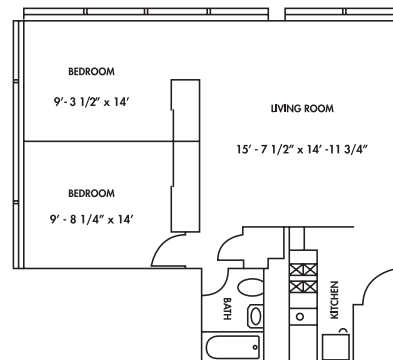
AMENITIES

- ▶ Elevators
- ▶ Key card access to building entrances
- ▶ 24-hour security
- ▶ Community lounge with access to cable TV and microwave
- ▶ Voice, data, and television jacks in each apartment
- ▶ Complete furniture package for private and common areas in each apartment
- ▶ Staff on premises 24 hours a day
- ▶ Outdoor bicycle storage
- ▶ Laundry room onsite
- ▶ Fully furnished apartments

RATES (2014–15)

Studio	\$6,960
One bedroom	\$8,474

Drawings not to scale. Room sizes may vary.



CARMAN HALL

Carman Hall, named after George Noble Carman—the first president of Lewis Institute—features apartments that were fully furnished in summer 2011. A variety of apartment types are available, including studios and one-bedrooms with dens. The apartments are available with a 10-month contract. Based on availability, contracts may be extended through summer months.

ROOM OPTIONS

- ▶ Apartments range between 400–750 square feet, each with a private bathroom.
- ▶ Apartments include kitchens (stove and refrigerator included)
- ▶ August to May contract; winter break included
- ▶ Available for graduate students; students living with dependents, spouses, or domestic partners; and students over 23 years old

AMENITIES

- ▶ Elevators
- ▶ Key card access to building entrances
- ▶ 24-hour security
- ▶ Community lounge with access to cable TV
- ▶ Voice, data, and television jacks in each apartment
- ▶ Complete furniture package for private and common areas in each apartment
- ▶ Staff on premises 24 hours a day
- ▶ Outdoor bicycle storage
- ▶ Laundry room onsite
- ▶ Fully furnished apartments

RATES (2014–15)

Studio	\$6,266
One bedroom with den	\$5,130

Drawings not to scale. Room sizes may vary.

Several amenities are offered in our residence halls, including community desk assistants, wireless Internet access, study and recreational lounge areas, musical instrument practice space, laundry rooms, public computers, print release stations (in select locations), and digital cable television with premium channels. All residence hall rooms and apartments are furnished.

To further enhance our campus residential communities, Residence and Greek Life (RGL) offers a 24-hour presence of student and residence hall professional staff members. You'll always have access to campus activities and program information posted throughout the halls and on RGL's Facebook and Twitter accounts. The Commons (IIT's main dining hall) and other campus dining venues are steps away from the residence halls. Campus housing is also located near academic buildings, laboratories, Paul V. Galvin Library, and Keating Sports Center. Room and board is billed directly to your student account once per semester, and online payment is accepted.

**Make the most of your IIT experience.
Live on campus!**

Want more information?

The final 2014-2015 board rates will be published online at housing.iit.edu after **March 1, 2014**.

To learn more about campus housing options and rates, and to submit a room and board contract online, visit www.iit.edu/housing. Feel free to email us at housing@iit.edu or call **312.567.5075**. By submitting a 2014-2015 Room and Board Contract you are agreeing to the full terms and conditions of the contract.

Greek Life

Greek organizations have been a part of the campus for more than 100 years. "Going Greek" remains a popular option for many students at Illinois Institute of Technology. Membership provides opportunities for leadership development, scholastic achievement and life-long friendships.

There are six fraternities: Alpha Sigma Phi, Delta Tau Delta, Omega Delta, Phi Kappa Sigma, Pi Kappa Phi, and Triangle, and three sororities: Alpha Sigma Alpha, Kappa Phi Delta, and Zeta Pi Omega, that form the Greek community at the Illinois Institute of Technology. Community events, such as Fall Greek Flag Football, Greek Week, Greek Formal, and New Member Academy are planned by the IIT Greek Council and celebrate the values that our organizations share: excellence, service, siblinghood, scholarship, leadership, and philanthropy. Members of the Greek community are found leading many student organizations on our campus from Student Government Association to Union Board to American Institute of Chemical Engineers. Greek members also serve as volunteers in the Chicago community and with national philanthropies.

Anyone is welcome to join a fraternity or sorority! All of the chapters are open to all undergraduate students, regardless of their year in school. Most of the chapters also accept students from Shimer College and Vandercook School of Music. Some chapters allow graduate members, as well.

The first week of the Fall and Spring semesters is recruitment week. During this week, chapters will host activities that are open to the entire student body. Students are encouraged to visit with all chapters to find the best fit. Recruitment week is a great time to meet Greek members, find out more about the fraternity or sorority, and get to know other students!

Housing is available in the Greek Houses, but students are not permitted to move into a house until their second semester.

For more information about Greek Life, visit www.iit.edu/housing/greek_life

ILLINOIS INSTITUTE
OF TECHNOLOGY

Residence and Greek Life



Become a fan.

Find us on Facebook and Twitter.